

mPCI-4

Quad slot miniPCI adapter for PC/104-Plus



**Advanced Micro
Peripherals**

THE EMBEDDED VIDEO EXPERTS

The mPCI-4 is a highly integrated miniPCI adapter card for PC/104-Plus systems. The mPCI-4 card supports up to 4 Type-III miniPCI cards in a single PC/104-Plus stack location and provides an ideal way of adding advanced functionality to space constrained systems.



The mPCI-4 uses active PCI-PCI bridging to support 4x miniPCI cards in a single PC/104-Plus stack location. This allows the mPCI-4 to consume only 1 set of PCI resources and allows up to 4 mPCI-4 cards to be used in a system.

The mPCI-4 is an ideal partner to standard miniPCI cards such as wireless Ethernet and to AMP's range of miniPCI advanced video compression boards. Compact video compression or streaming systems can be constructed using AMP's microH264-D4 or microMPEG4-D4 compression cards and wireless can be easily integrated using standard WLAN cards.

PRELIMINARY INFORMATION (Rev A.00)

Subject to change without notification

Advanced Micro Peripherals Ltd
Cambridge, CB6 2HY, England
Tel (+44) 1353 659500
Fax (+44) 1353 659600
sales@amp ltd.com
<http://www.amp ltd.com>

Advanced Micro Peripherals Inc
New York, NY10001, USA
Tel (+1) 212 951 7205
Fax (+1) 212 951 7206
sales@amp-usa.com
<http://www.amp-usa.com>

Mount 4 miniPCI
cards into a
single PC/104+
stack location



mPCI-4

Quad slot miniPCI adapter for PC/104-Plus



**Advanced Micro
Peripherals**

THE EMBEDDED VIDEO EXPERTS



Ideal for highly
Integrated,
space constrained
systems

Applications

Remotely guided vehicles

UAVs

Vehicle cameras

Remote video surveillance

Electronic news gathering

Multi-camera systems

Traffic monitoring and control

Solid-state digital video recorder

Wireless video streaming

Advanced Micro Peripherals Ltd
Cambridge, CB6 2HY, England
Tel (+44) 1353 659500
Fax (+44) 1353 659600
sales@amp ltd.com
<http://www.amp ltd.com>

Advanced Micro Peripherals Inc
New York, NY10001, USA
Tel (+1) 212 951 7205
Fax (+1) 212 951 7206
sales@amp-usa.com
<http://www.amp-usa.com>



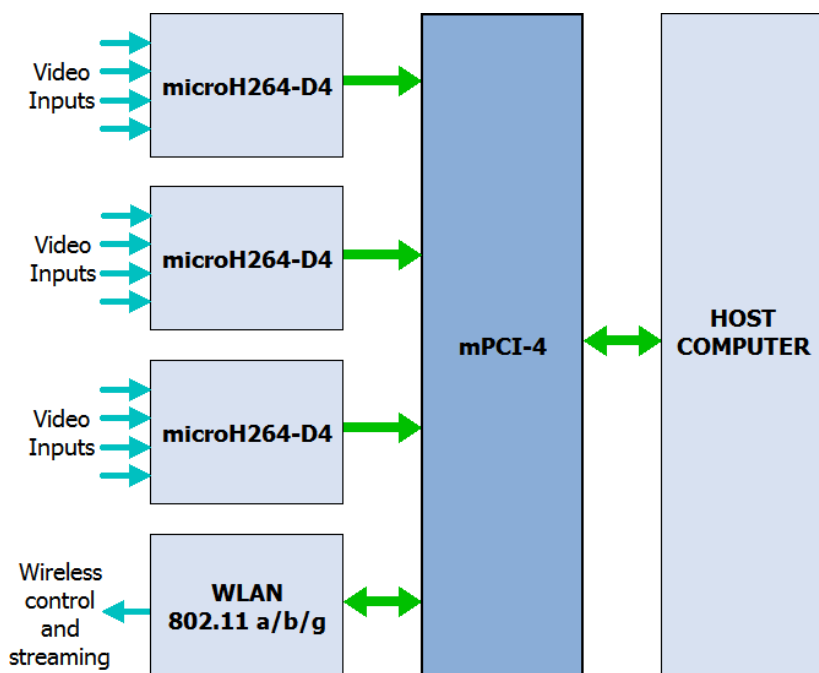
mPCI-4

Quad slot miniPCI adapter for PC/104-Plus



Advanced Micro Peripherals

THE EMBEDDED VIDEO EXPERTS



Example 12-channel wireless H.264 video streamer

Features

4x MiniPCI Type III slots

Example systems:

- | | |
|------------------|---|
| 4x microH264-D4 | 16 Stream H.264 encoder |
| 3x microMPEG4-D4 | 12 Stream MPEG-4 wireless video streamer. |
| +1x WLAN | |
| 4x WLAN | Multi Channel Wireless router |

Active PCI-PCI Bridge for efficient use of system resources

Up to four mPCI-4 boards per system

PC/104-Plus form factor

Extended temperature range (option)

Native driver support for Windows XP-E and Linux

Active PCI-PCI
bridging for
efficient use of
system resources

Advanced Micro Peripherals Ltd
Cambridge, CB6 2HY, England
Tel (+44) 1353 659500
Fax (+44) 1353 659600
sales@amp ltd.com
<http://www.amp ltd.com>

Advanced Micro Peripherals Inc
New York, NY10001, USA
Tel (+1) 212 951 7205
Fax (+1) 212 951 7206
sales@amp-usa.com
<http://www.amp-usa.com>



PC/104-Plus Bus Interface

Compliant with PCI Rev 2.1
132 MBytes/sec bandwidth at 33.33 MHz bus speed
Single +5 V supply

miniPCI Interface

4x miniPCI Type III slots
On board 3.3V power supply can provide up to 1A per slot

System Requirements

x86 PC-Compatible PC/104-Plus Computer
Spare REQ/GNT on PC/104-Plus Bus
5V-3.3V signalling PC/104-Plus bus

Mechanical

Standard 3.6 x 3.8in PC/104-Plus form factor
PC/104 ISA Bus pass through connectors for compatibility

Operational characteristics

Operating temperature 0°C to 60°C
Extended temperature -40°C to +85°C (option)

Software

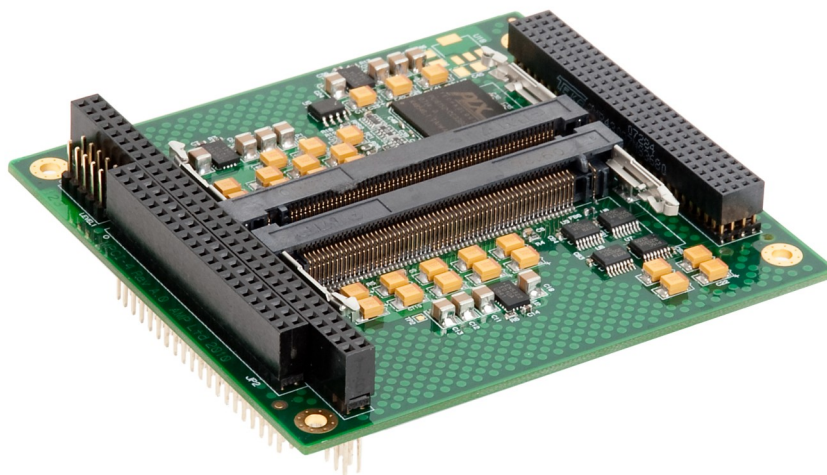
Native driver support in Windows-XP-E, Linux

Related Products

microH264-D4 4-channel H.264 Codec for miniPCI
microMPEG4-D4 4-channel MPEG-4 Codec for miniPCI

Ordering Information

mPCI-4 4-slot miniPCI adapter (0 to 60°C)
mPCI-4-Ext 4-slot miniPCI adapter (-40°C to +85°C)



mPCI-4

