

# VETRO-CONV-HDMI-NTSC

Rugged HDMI to NTSC video converter

The VETRO-CONV-HDMI-NTSC is part of AMP's rugged intelligent video converter family designed for vehicle and mobile applications. The VETRO-CONV-HDMI-NTSC seamlessly converts HDMI video signals to standard compliant NTSC composite video ensuring reliable performance for Military, Communications, Transportation, and Energy industries.



This VETRO-CONV family are ideal for a wide range of critical requirements, including the integration of new sensors onto existing platforms, vehicle or platform upgrade and retrofit projects, and expanding the operational lifespan of legacy systems. It provides the seamless, automatic video conversion necessary for enabling these mission-critical tasks.

The VETRO-CONV-HDMI-NTSC features D38999 connectors and is vehicle-ready with no user intervention. Built tough with conduction-cooled, watertight, IP67-rated enclosure and integrated MIL-STD-1275E power conditioning, the VETRO-CONV-HDMI-NTSC delivers power-transient hardened operation for dependable performance in harsh environments.

## Key Features

- ◆ Vehicle ready, rugged video converter
- ◆ HDMI / DVI video input
- ◆ NTSC composite video output
- ◆ Military grade, rugged IP67 enclosure
- ◆ Sealed, MIL-D38999 connectors for secure cabling
- ◆ Power transient hardened
- ◆ Designed for demanding applications in harsh environments

## VETRO

The VETRO-CONV rugged video converters are part of AMP's VETRO range of MIL-rated vetronics solutions ready for rapid deployment in the demanding environments.

Housed in IP67 enclosures, using MIL-D38999 connectors and with MIL-1275E power conditioning, VETRO products are designed for durability, ease of integration, and mission critical reliability.

Rev A.00

Preliminary Information. Subject to change without notification

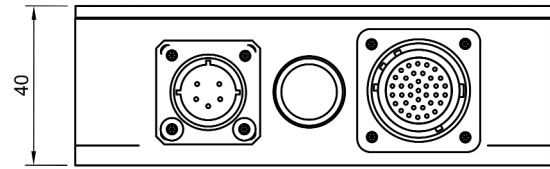
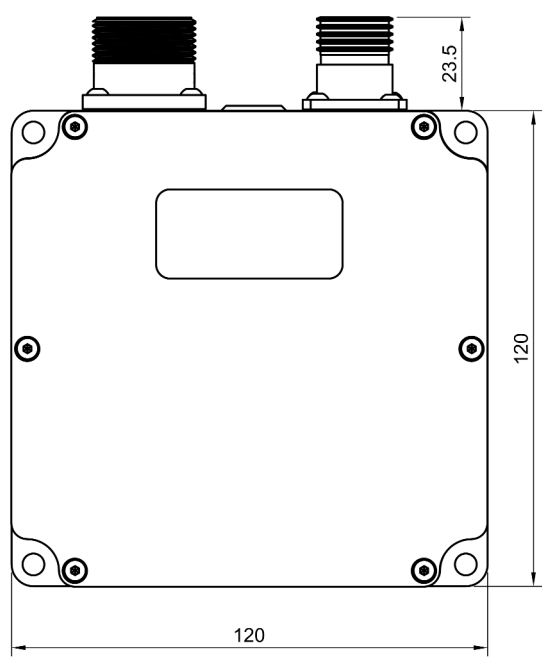


**Advanced Micro  
Peripherals**

THE EMBEDDED VIDEO EXPERTS



## Mechanical Drawing



3D Drawing available on request

## Example Applications

The VETRO-CONV-HDMI-NTSC is ready for rapid deployment in demanding environments, ideal for applications such as:

- ◆ Integration of new sensors
- ◆ Situational awareness
- ◆ Lifespan extension projects
- ◆ Vehicle surveillance systems
- ◆ Platform Upgrades and Retrofit
- ◆ Security systems for critical infrastructure
- ◆ Mobile command centres

## VETRO-CONV

The VETRO-CONV converters support a comprehensive range of video interfaces, including:

- ◆ GMSL ◆ RS-170 ◆ NTSC
- ◆ PAL ◆ Composite Video
- ◆ DisplayPort ◆ VGA
- ◆ HD-SDI ◆ HDMI ◆ DVI

Contact us to find the vehicle ready VETRO-CONV ideal for your project.



## Technical Specification

### Digital Video Input

HDMI / DVI at up to 1080p30

### Analog Video Output

NTSC composite video out  
Ground Loop Mitigation  
75 Ohm output impedance

### Video Conversion

Intelligent solution - no configuration required.

### Latency

Latency < 1 frame time  
Zero buffer process  
No video data persistence

### Environmental

Operating temp -20°C to +60°C  
IP67 dust-proof, water immersion to 1m  
Passively cooled, fanless enclosure

### Power

12-31V DC Input range  
28V DC Nominal input voltage  
Hardened against power transients  
Reverse polarity protection  
EMI hardened for immunity and emissions  
Military vehicle class power conditioning conforming to MIL-STD-1275E

### Mechanical

Milled from solid Aluminium Alloy block  
Size: 120 x 120 x 40 mm (4.7 x 4.7 x 1.6 inch) LWH  
Sealed IP67 rugged MIL-D38999 Connectors

### Standards Compliance

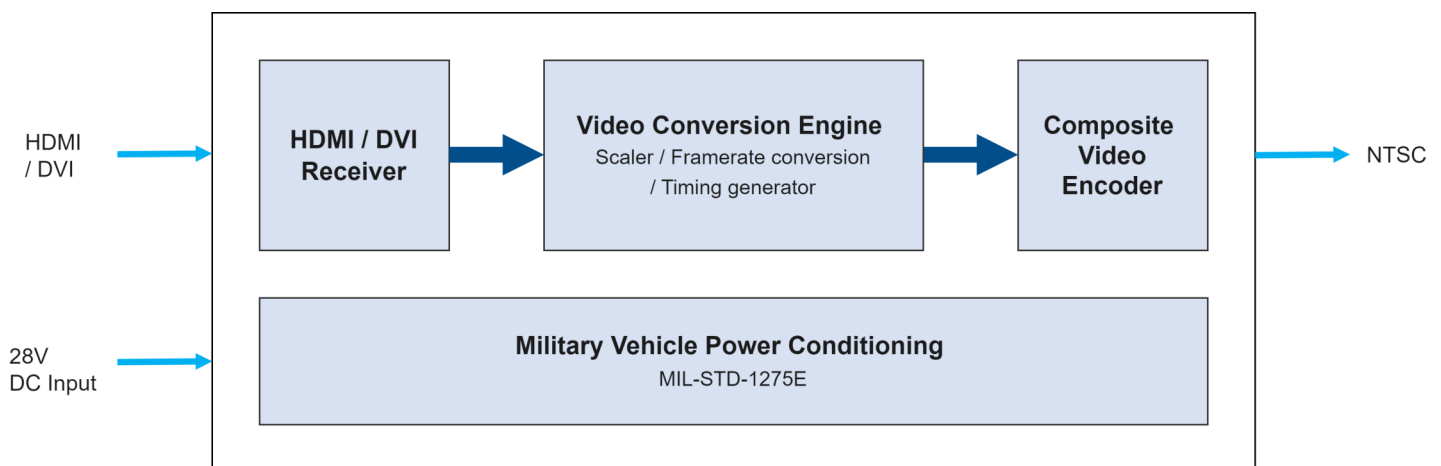
MIL-STD-1275E<sup>(1)</sup>

### Ordering Information

#### VETRO-CONV-HDMI-NTSC

Vehicle ready rugged video converter. HDMI-to-NTSC

## Functional Diagram



<sup>(1)</sup> The AMP VETRO-CONV family is designed to meet MIL-STD-1275E requirements.

